



Technical Data
Specification & Capacities

KIRPYII

AR1500



EN 13000

16.04.2026 | rev.01

[m] [kg]

KIRPY// AR1500

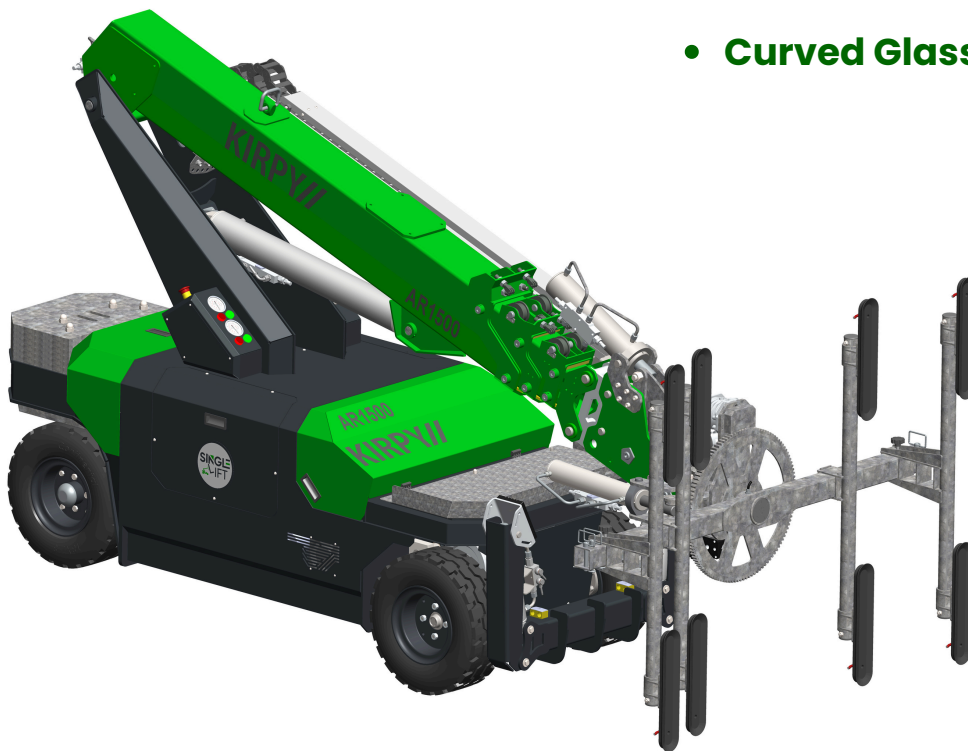
- KIRPY AR1500



- Vacuum Pad Attachment



KIRPY// AR1500



- **Curved Glass Attachment**



- **Basket Attachment**

KIRPYII AR1500

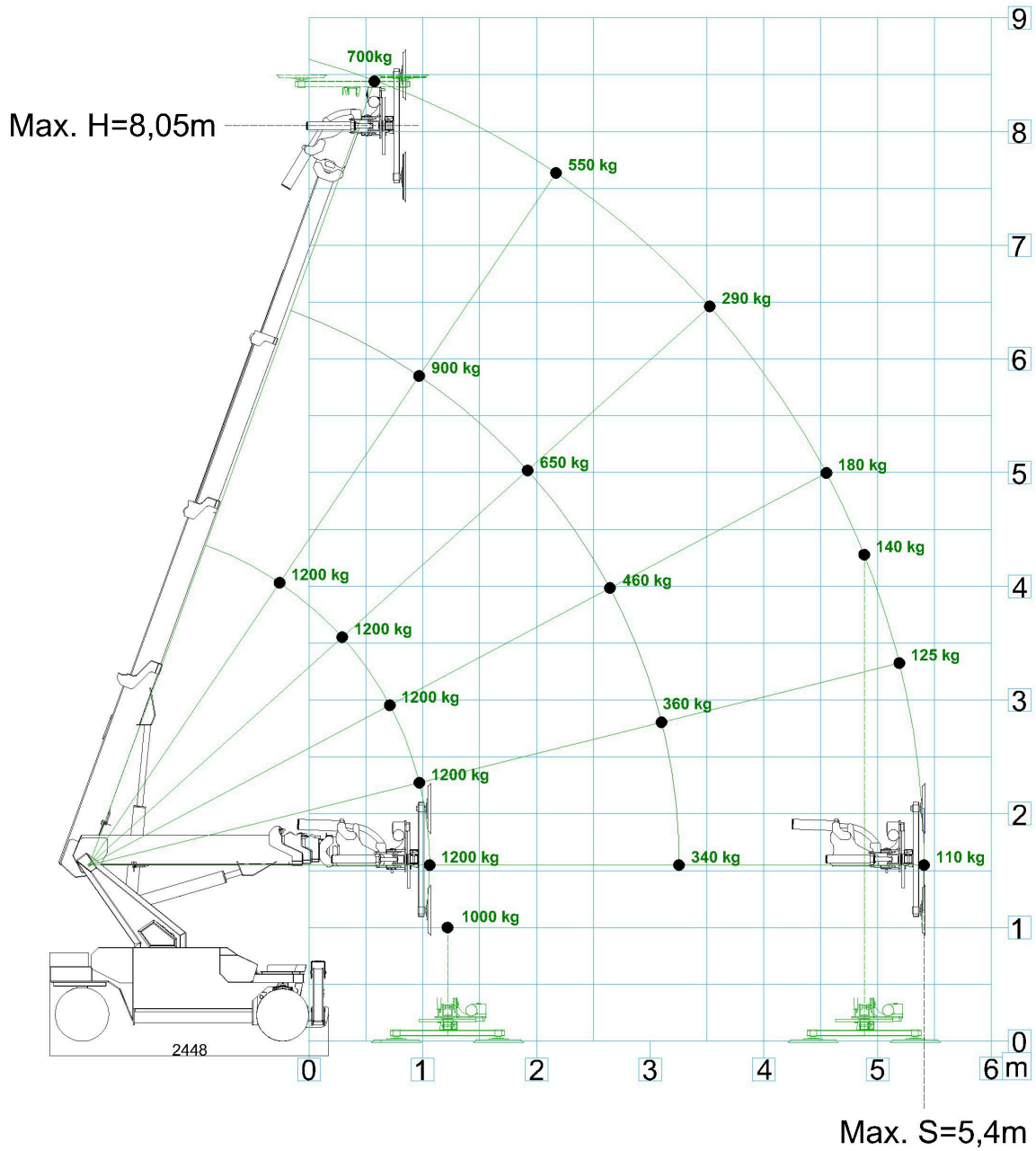


- Winch Attachment



- Hook Attachment

AR1500 - LOAD DIAGRAM



TECHNICAL DATA

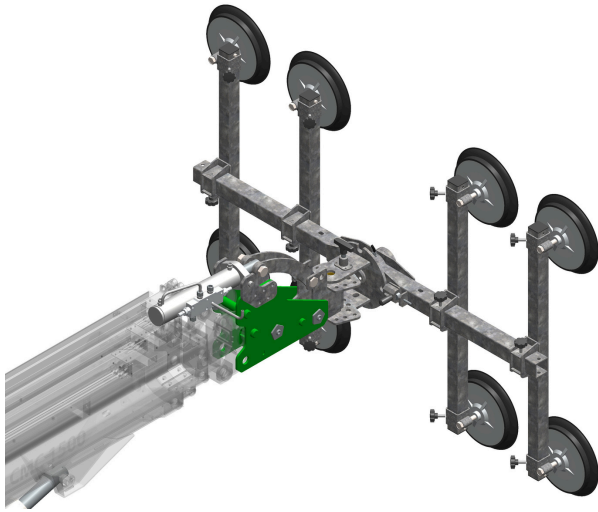
Lifting Capacity (arm in / extended)	1500 kg / 250 kg
Own Weight	1750 kg
Operation Time	6h
Charging Time	10 h
Charging Voltage	110-220 V
Vacuum System	2 Pumps, 2 Vacuum Reserve Tanks

REMARKS REFERRING TO LOAD CHART

- Load charts are calculated according to EN 13000.
- Lifting capacities are given in kilograms.
- The weight of the hook blocks and hooks is part of the load and therefore it must be deducted from the lifting capacities.
- A maximum offset of 5 cm is allowed between the center of the glass and the center of the vacuum attachment. Otherwise, it should be noted that the rotation motor cannot fulfill its task.
- Subject to modification of lifting capacities

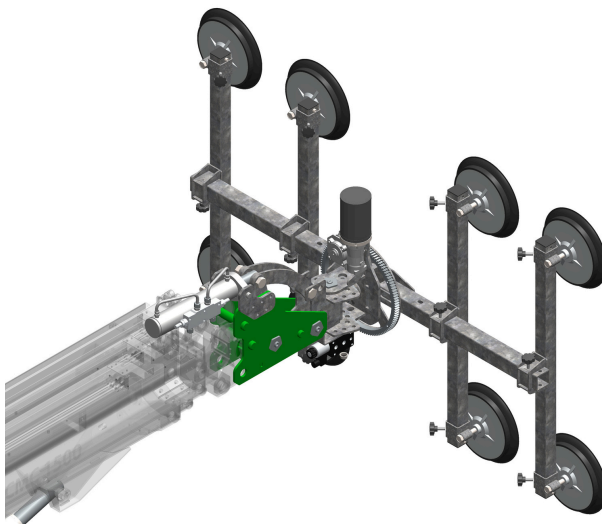
KIRPY// AR1500

ATTACHMENT FEATURES



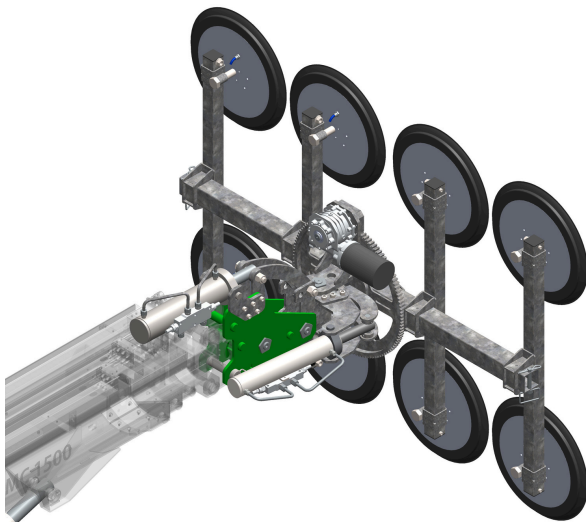
- **Manual Vacuum Pad Attachment**
MR-MS/800

Lifting Capacity	800kg
Attachment Weight	110 kg
Frame Dimensions	1880 x 1340 mm
Tilt Angle	118° down & 9° up
Rotation Angle	360° cc & ccw(90-180-270-360)
Slewing Angle	60° left & 60° right
Suction Cups Features	Ø 290 mm, 8 pieces



- **Semi-Auto Vacuum Pad Attachment**
AR-MS/800

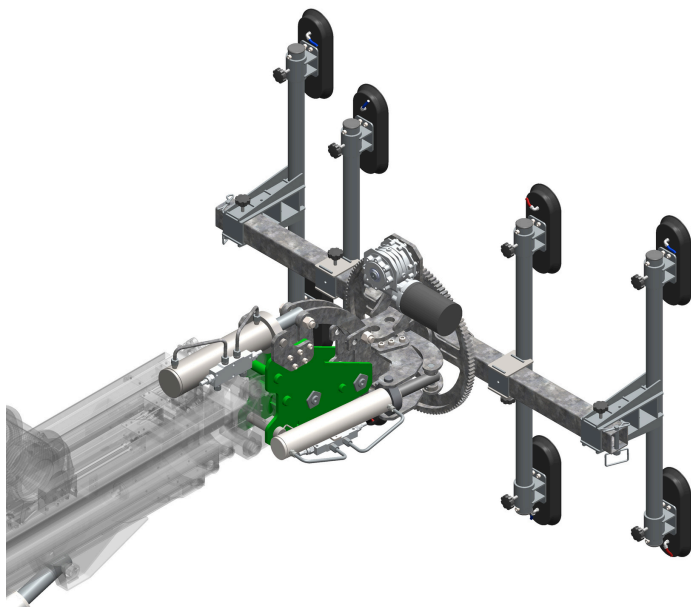
Lifting Capacity	800kg
Attachment Weight	110 kg
Frame Dimensions	1880 x 1340 mm
Tilt Angle	118° down & 9° up
Rotation Angle	360° cc & ccw automatic
Slewing Angle	60° left & 60° right
Suction Cups Features	Ø 290 mm, 8 pieces



- **Full-Auto Vacuum Pad Attachment**
AR-AS/800 **AR-AS/1200**

Lifting Capacity	800kg	1200kg
Attachment Weight	125 kg	165 kg
Frame Dimensions	1880 x 1340 mm	(2040+2000) x 1340 mm
Tilt Angle	118° down & 9° up	118° down & 9° up
Rotation Angle	360° cc & ccw automatic	360° cc & ccw automatic
Slewing Angle	79° left & 18° right	79° left & 18° right
Suction Cups Features	Ø 290 mm, 8 pieces	Ø 440 mm, 8 pieces

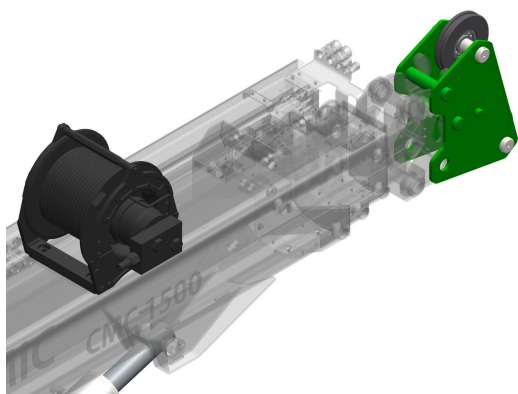
KIRPY// AR1500



CGA/800

• Curved Glass Attachment

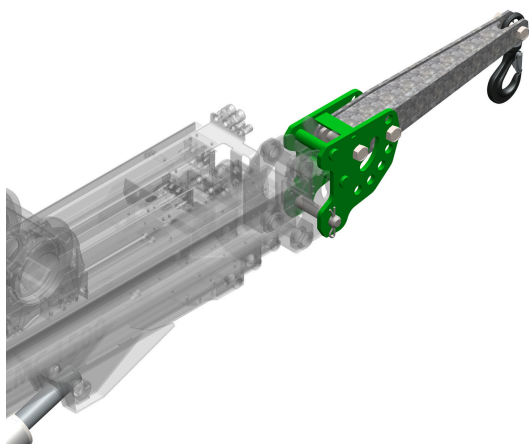
Lifting Capacity	800 kg
Attachment Weight	40 kg
Frame Dimensions	1610x1000 mm
Max. Curve Diameter	R1500mm
Suction Cups Features	300x100 mm, 8 pcs



HWA/1200

• Hydraulic Winch Attachment

Lifting Capacity	1500 kg
Attachment Weight	86kg+18kg
Rope Length	50 mt.

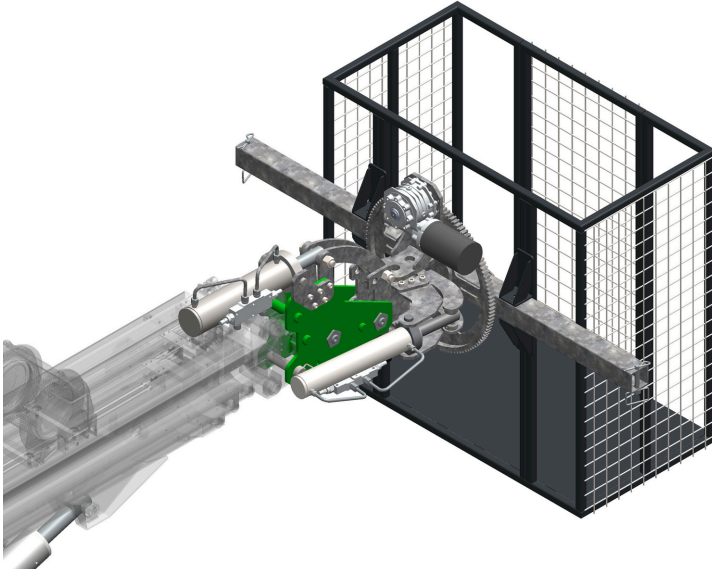


SHA/1500

• Swivel Hook Attachment

Lifting Capacity	1500 kg
Attachment Weight	23 kg
Arm Length	385mm
Working Angle	+22.5° / -90°

KIRPYII AR1500



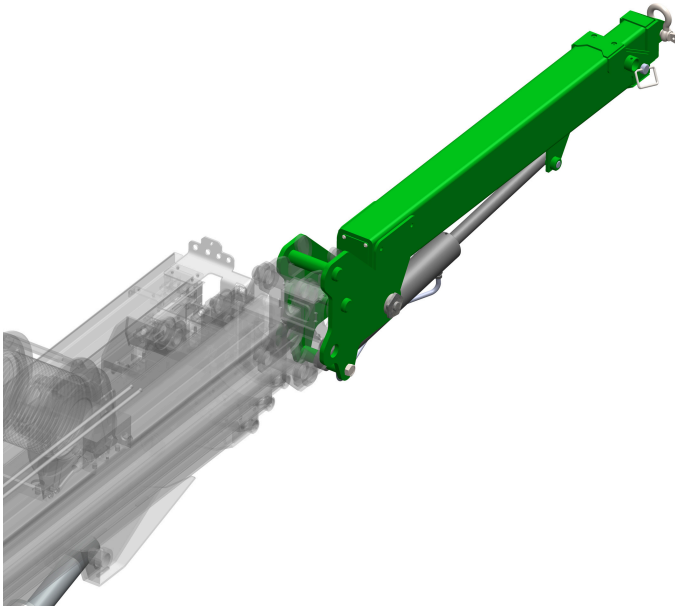
BA/300

• Basket Attachment

Lifting Capacity 300 kg

Attachment Weight 60 kg

Frame Dimensions 1050x550 L=1030mm



JB/800

• Jib Boom

Lifting Capacity 800 kg

Attachment Weight 50 kg

Working Angle 0° / -130°

TR Burada açıklanan tüm spesifikasyonlar ve özellikler önceden tavsiye olmaksızın değiştirilebilir. Vinç kullanımına bağlı olarak farklı performans gösterdiğinden, belirtilen tüm veriler yalnızca gösterge niteliğindedir ve bağlayıcı değildir.**EN** All specifications and features herein described can be changed without prior advice. All indicated data are indicative only and are not binding as crane performs differently depending on its use.**IT** Tutte le caratteristiche e le specifiche descritte possono essere soggette a variazioni senza preavviso. Tutti i dati riportati sono forniti a puro titolo informativo e non sono impegnativi dal momento che le prestazioni della macchina variano in funzione dell'utilizzo.**DE** Unangekündigte Änderungen sämtlicher Eigenschaften und Daten sind möglich. Alle Angaben sind Richtwerte und nicht verbindlich da die Leistungen der Vorrichtung von deren Einsatz abhängen.**ES** Todas las características y las especificaciones aquí indicadas pueden ser sujetas a variaciones sin aviso. Se dan todos los datos aquí indicados como simples informaciones. No se consideran como vinculantes, dado que las prestaciones del maquinario pueden variar.**FR** Toutes les caractéristiques et le spécifications descriptives peut être sujet à variation sans préavis. Tout les données rapportés sont fourni à titre informatif et ne sont pas engager au moment que la prestation de la machine change en fonction de l'emploi.



SAİT KOÇAK MAKİNA SAN. VE TİC. LTD. ŞTİ.

Akçeşme Mh. 2015 Sk. No:16
Merkezefendi/DENİZLİ 20070 TURKEY

www.singlelift.com info@singlelift.com +90 258 999 25 56